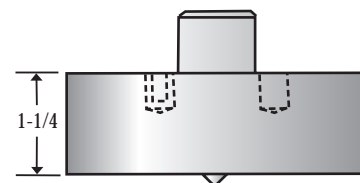
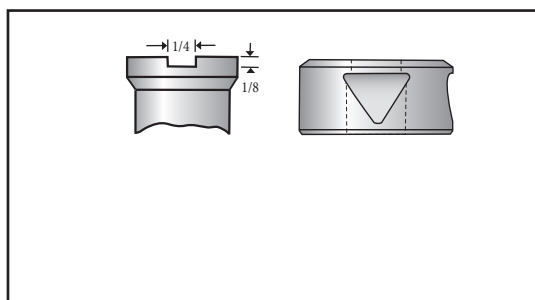


241 Tip Holder



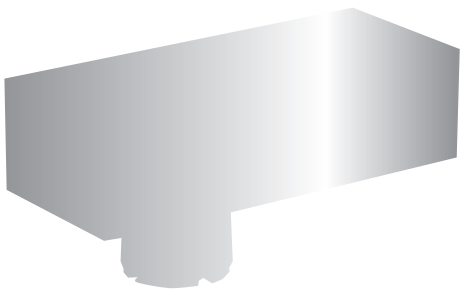
241 Punch Tip
Available up to 4"



FLAT BAR SHEAR BLADES

ANGLE SHEAR BLADES

PUNCH STEMS AND COUPLING NUTS



OVERSIZE ATTACHMENT

PEDESTAL DIE HOLDER