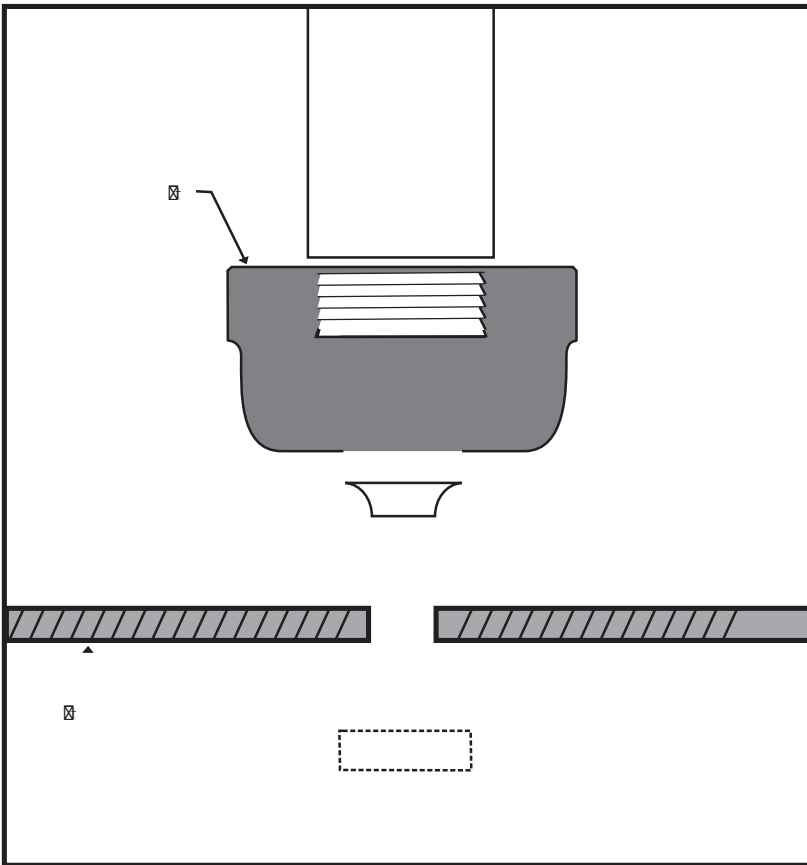


**TYPICAL PUNCH SET-UP**



**Punch:**

**Die:**

**Stripping:**

**Ensure Long Life of Tooling:**

**WARNING**

